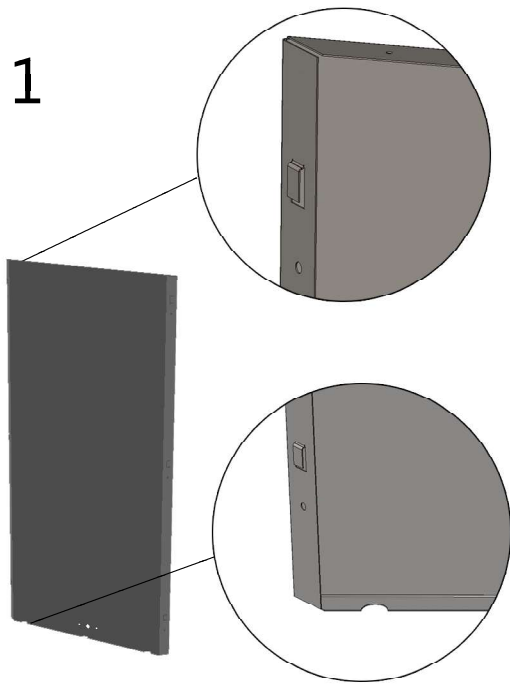
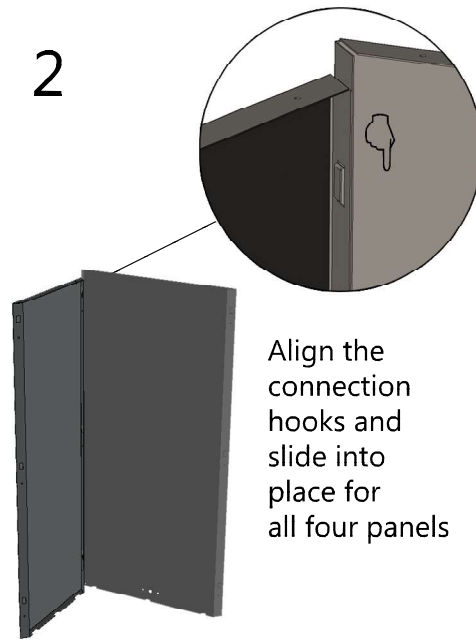




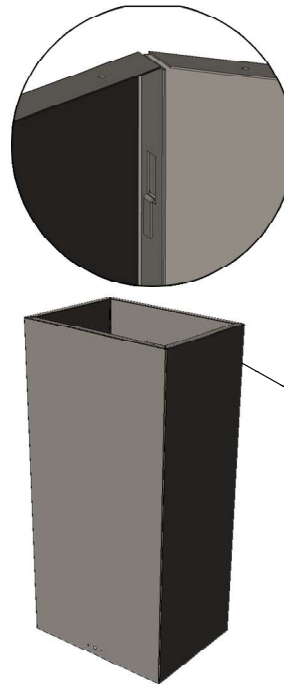
1



2

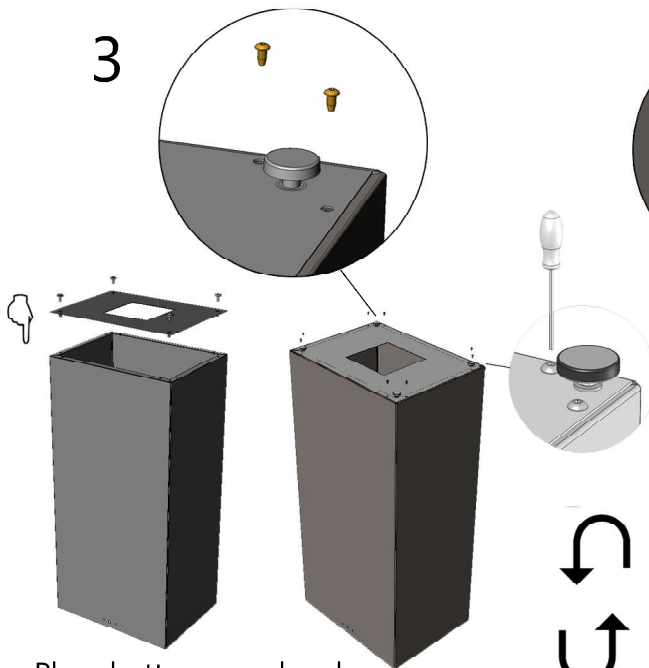


Align the connection hooks and slide into place for all four panels



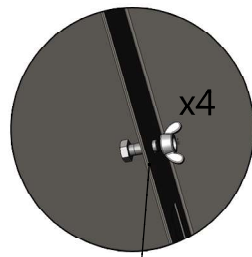
Secure the panels at the bottom with 4 screws applied internally

3



Place bottom panel and secure with 8 screws

Turn the stand upside down

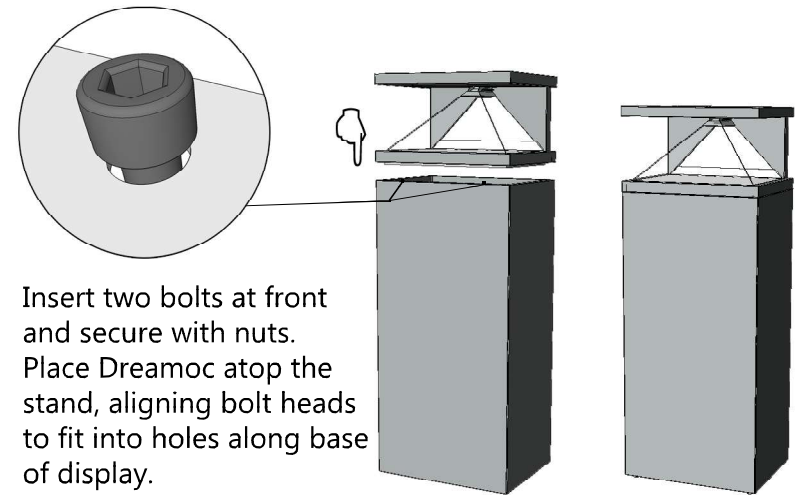


Secure the panels at the top with 4 screws applied internally

dreamoc™

Holes for optional iPad/iPod mount. If not in use, cover with logo plate

4



Insert two bolts at front and secure with nuts. Place Dreamoc atop the stand, aligning bolt heads to fit into holes along base of display.



FOR PRODUCT SUPPORT AND TUTORIALS, PLEASE SCAN THIS QR-CODE OR VISIT:

support.realfiction.com/hd3